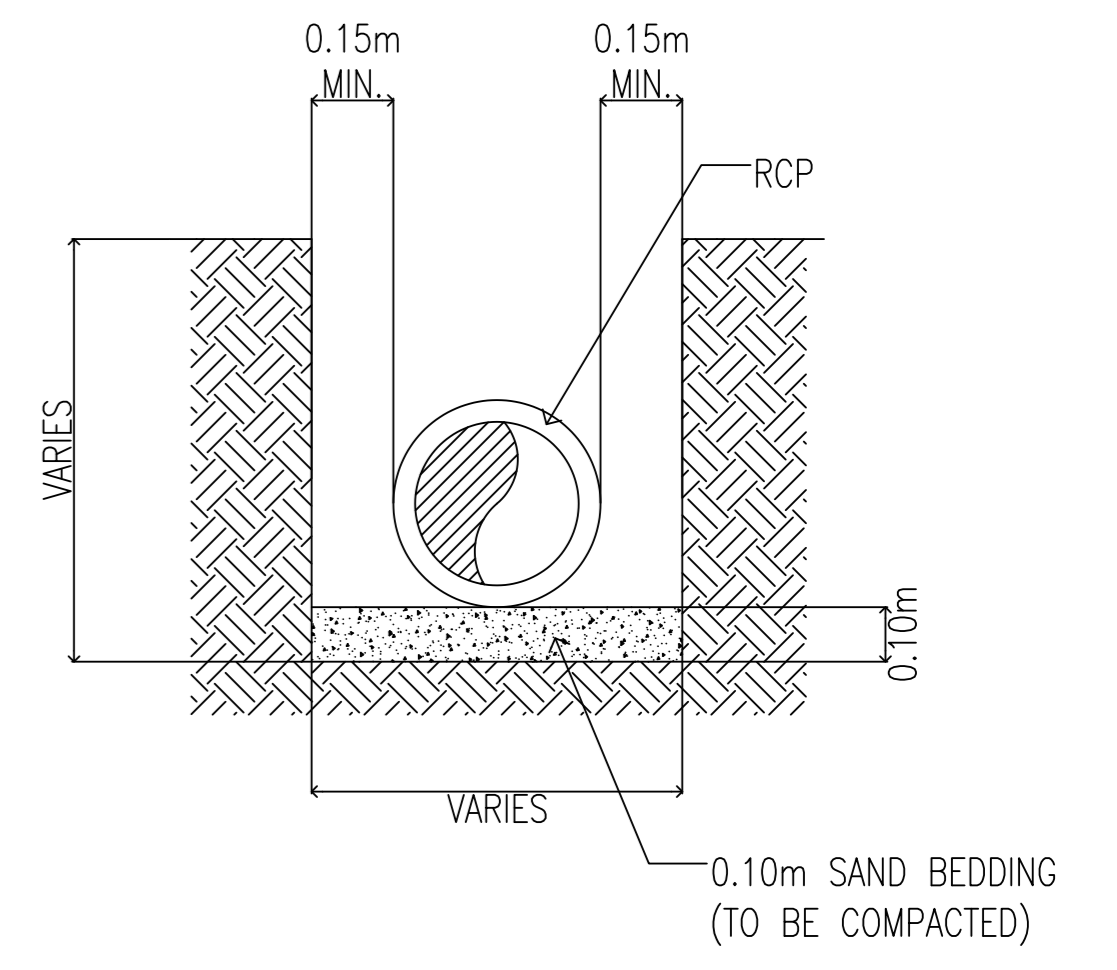


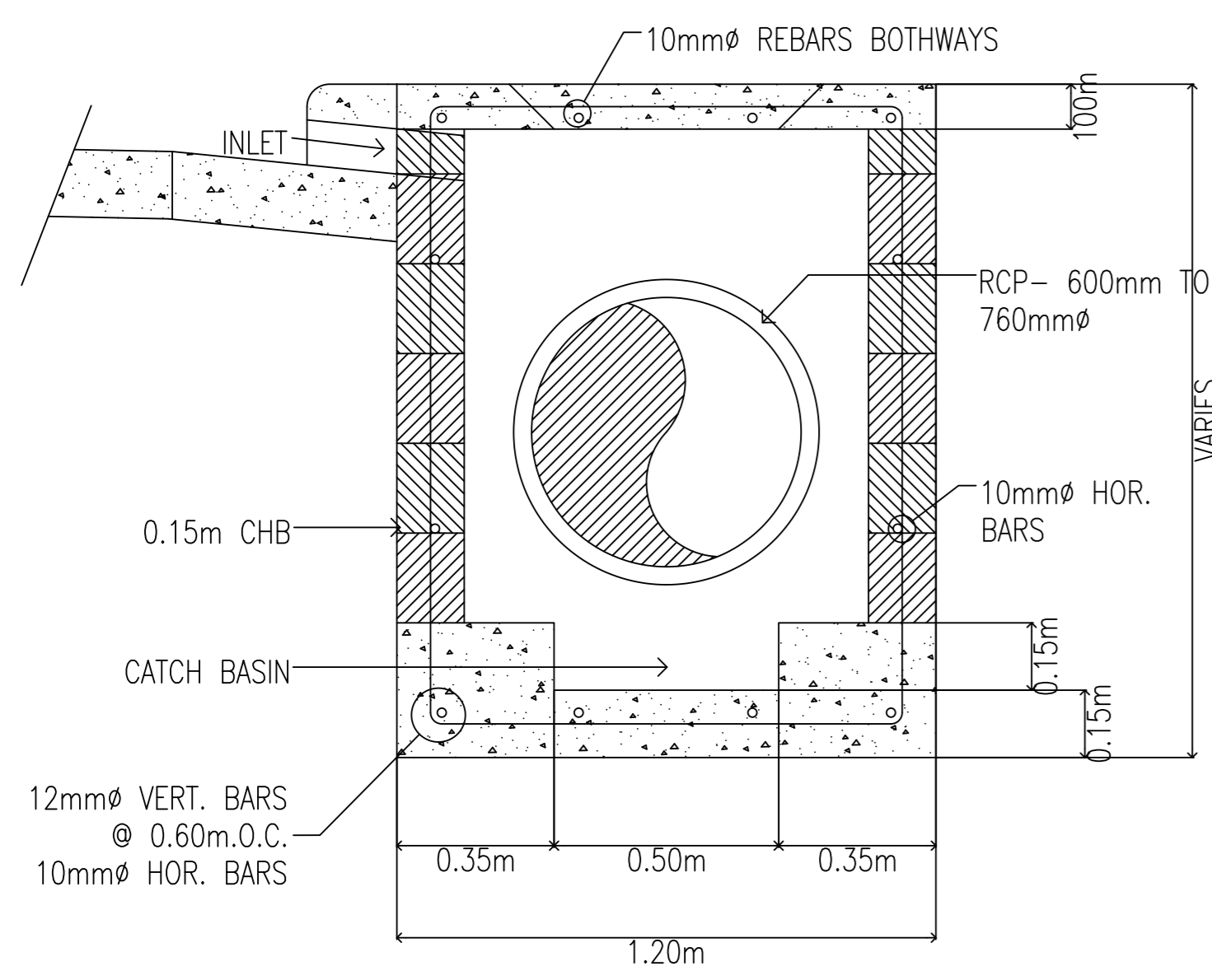
DETAIL OF MANHOLE MH-1 FOR ROAD-1 & ROAD-2 & ROAD-3

SCALE 1 : 25 M T S .



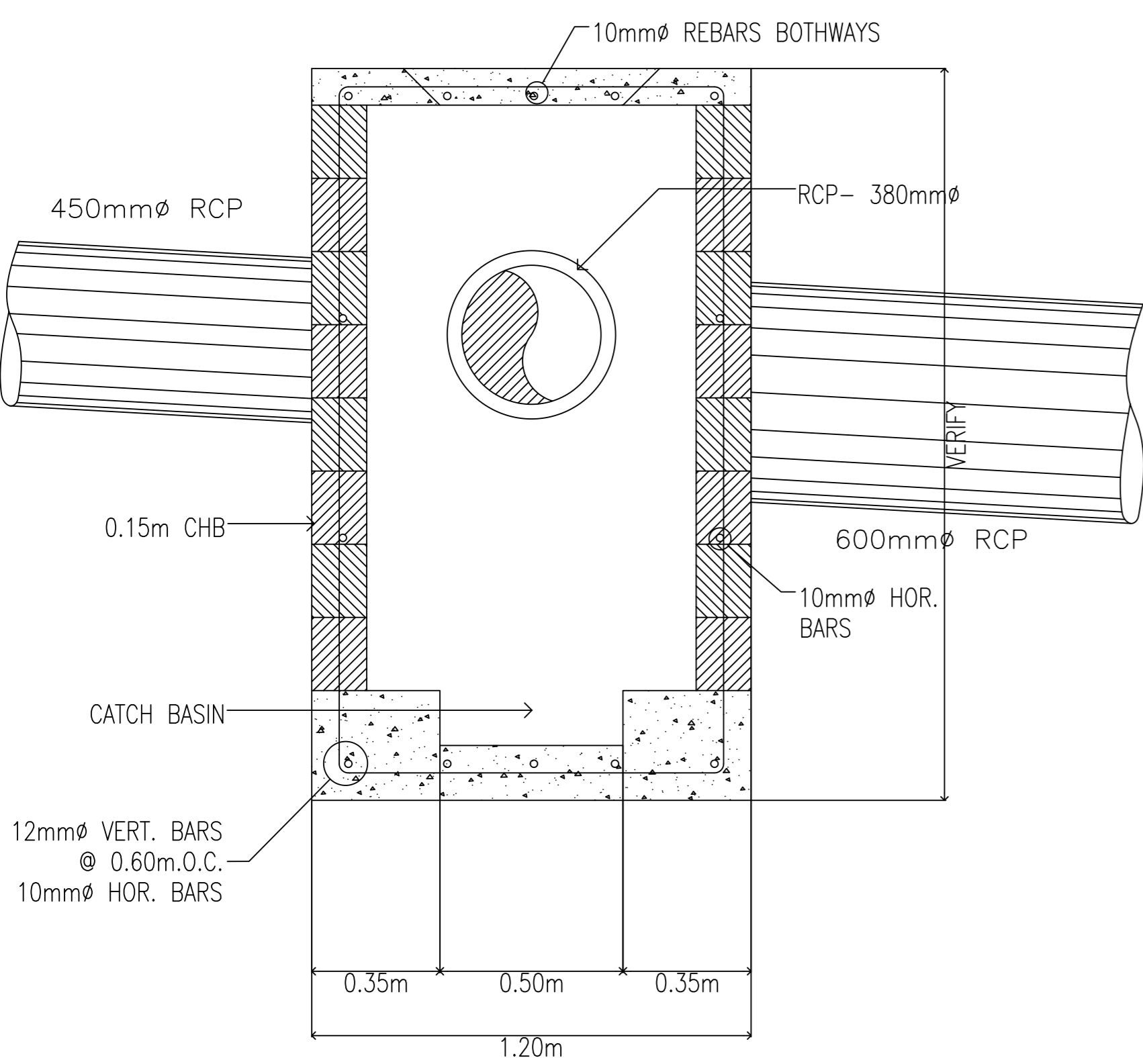
TRENCH EXCAVATION FOR RCP

SCALE 1 : 20 M T S .



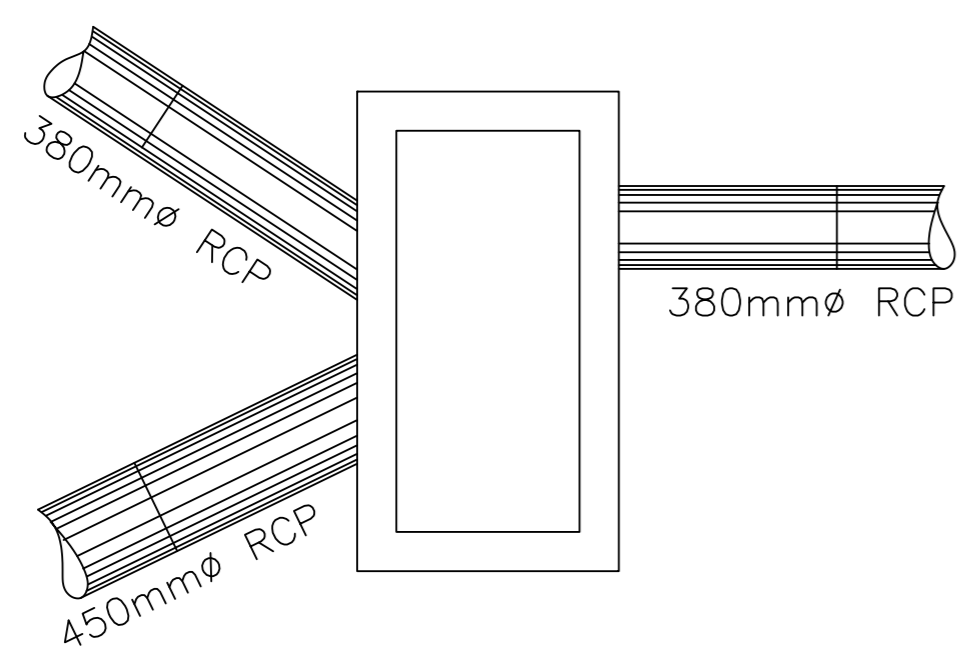
DETAIL OF MANHOLE MH-2 RD-1 & RD-2

SCALE 1 : 20 M T S .



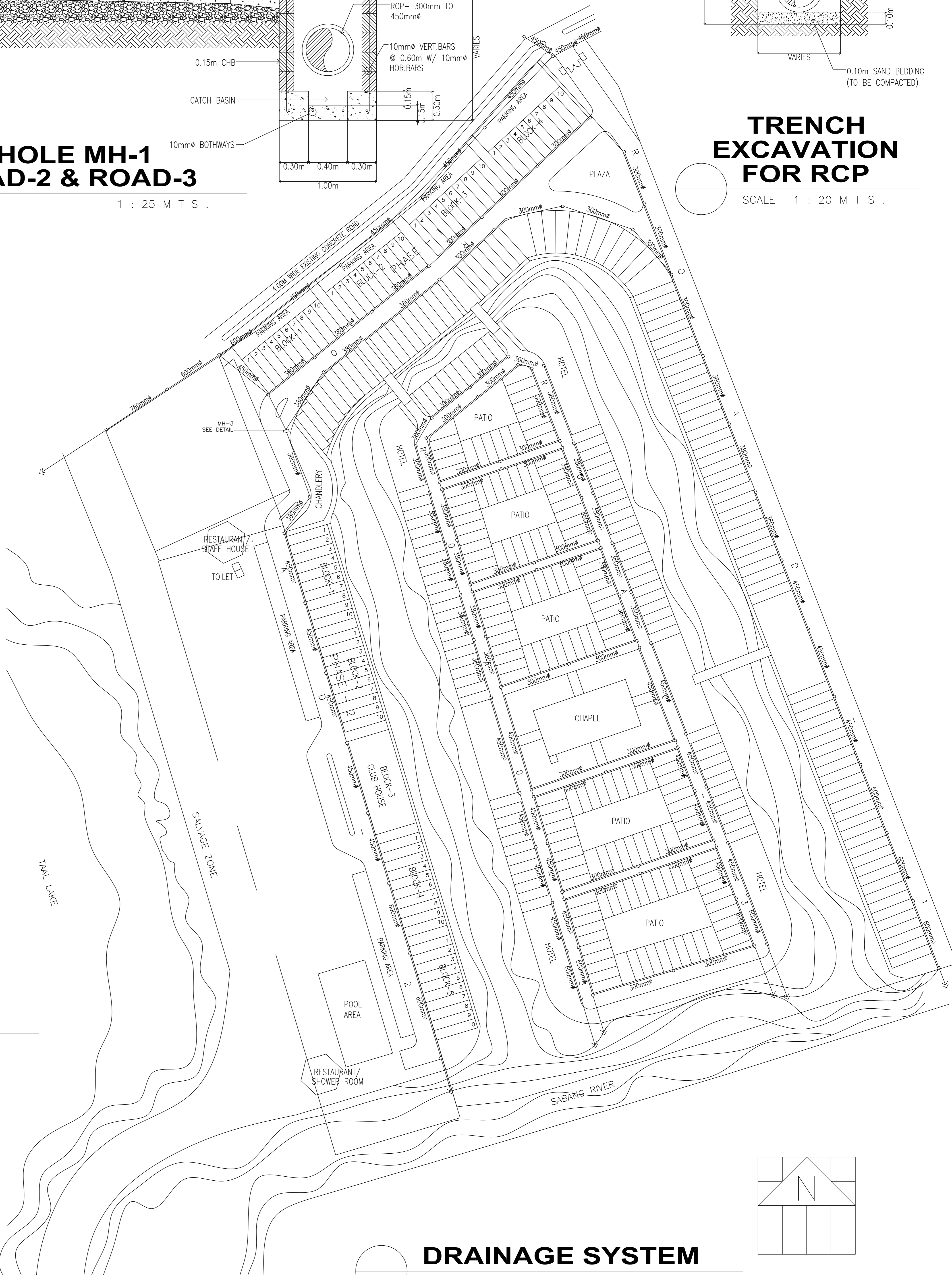
DETAIL OF MANHOLE MH-3

SCALE 1 : 20 M T S .



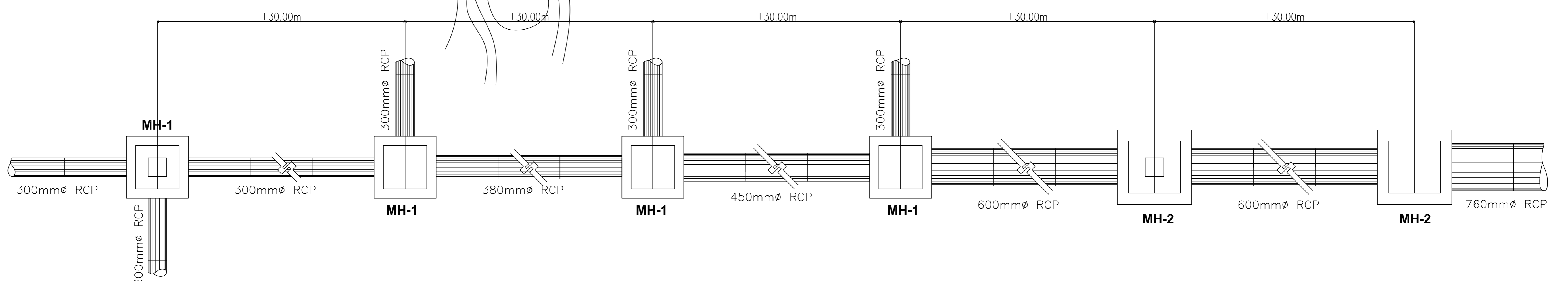
PLAN MH-3 (1.20mx2.20m)

SCALE 1 : 50 M T S .



DRAINAGE SYSTEM

SCALE 1 : 1000 M T S .



PLAN SHOWING MANHOLE & RCP CONNECTION

SCALE 1 : 50 M T S .

ENGINEER	PROJECT TITLE	OWNER	DESIGN BY	REVISIONS	DATE	SHEET CONTENTS	PROJECT NO.	OWNER
						DRAINAGE SYSTEM & DETAILS		
PRC. NO.			DATE				FILE NO.	
T.I.N.			DRAFT/CAD BY					
P.T.R.	LOCATION	BRGY. GONZALES TANAUAN CITY	DATE					
		APPROVED						
		DATE						
			CAD FILE NAME					