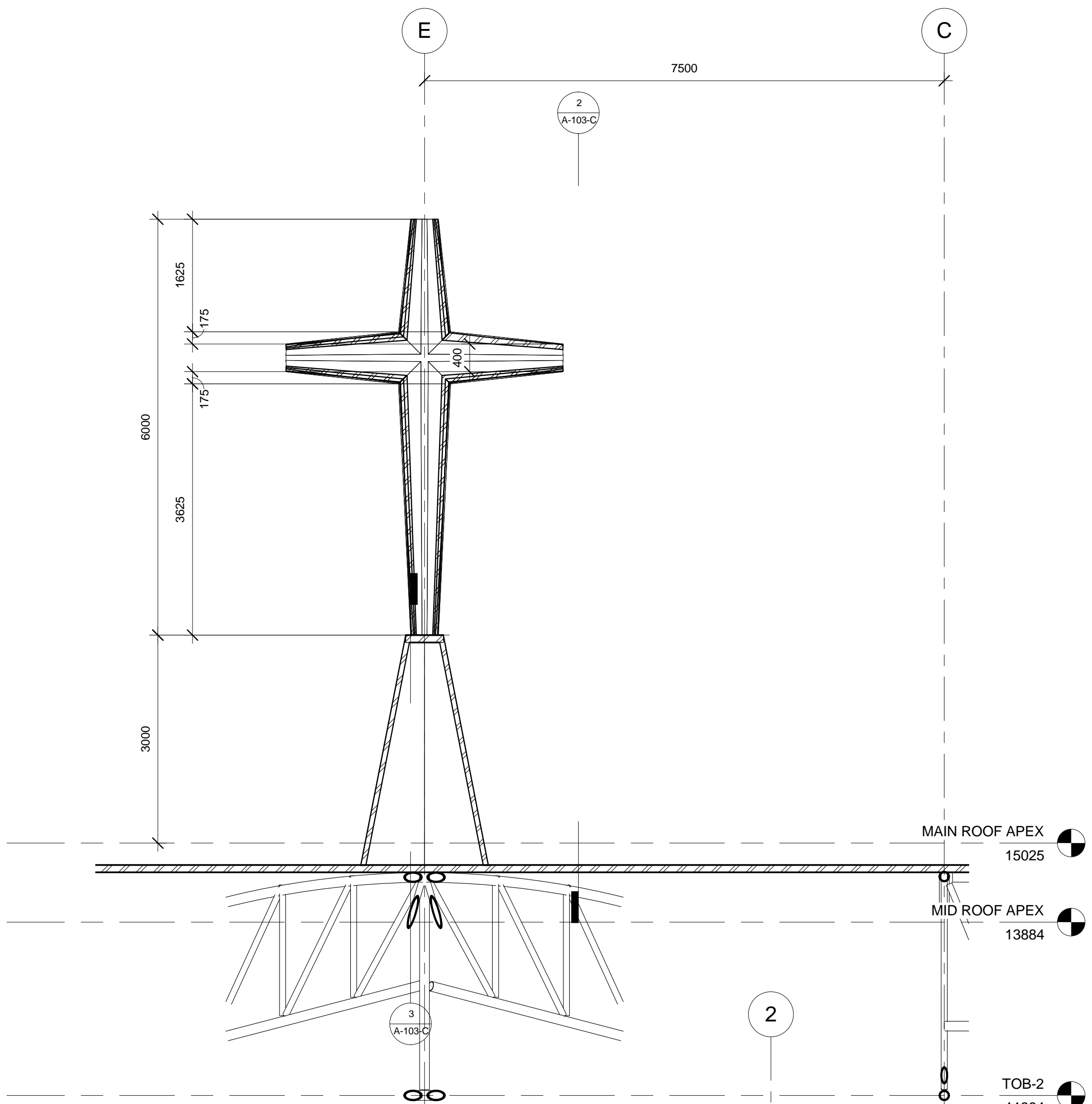
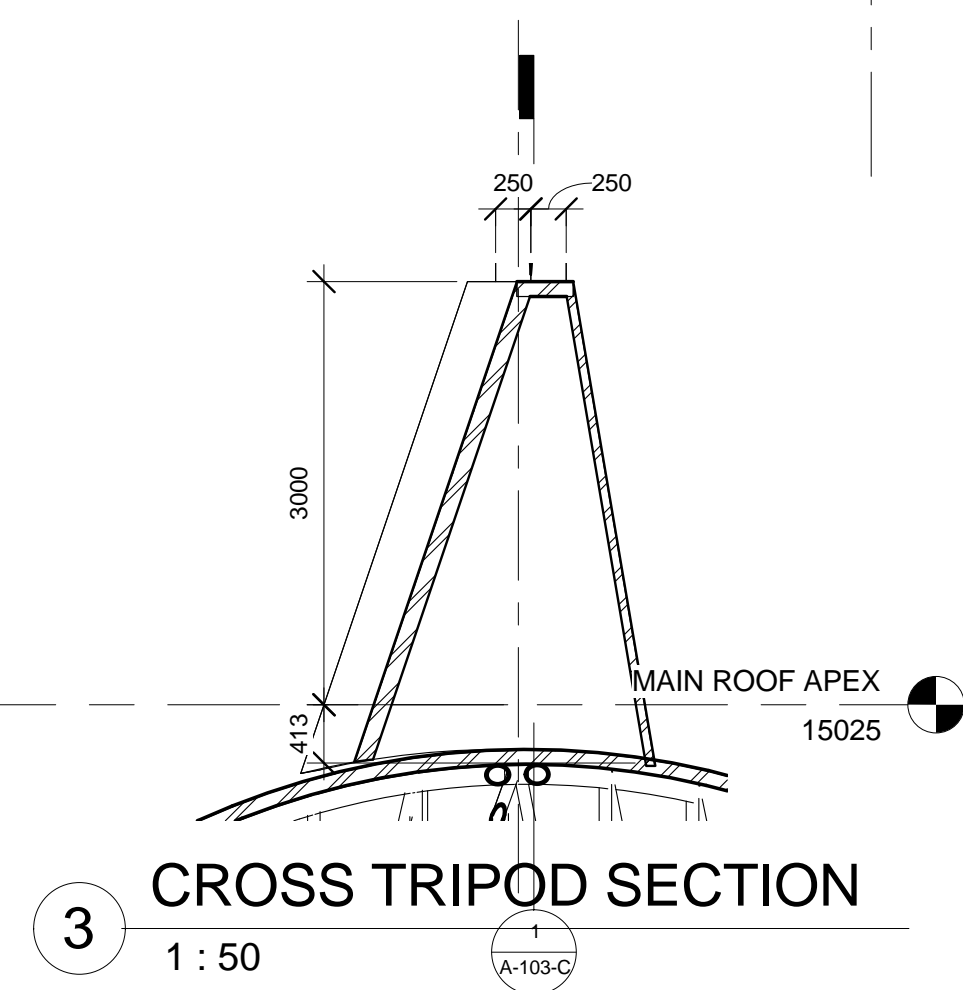


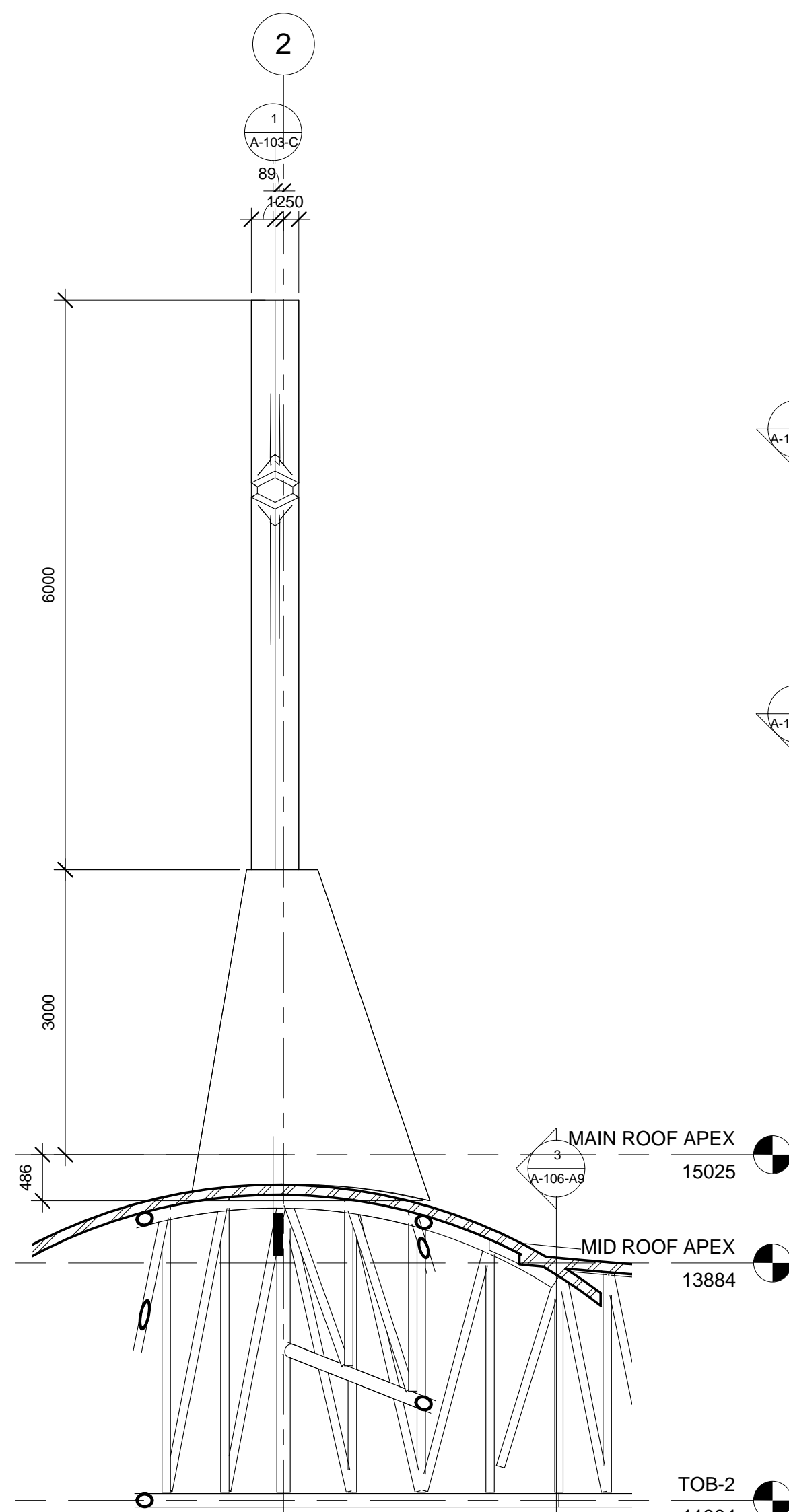
1 BAY SECTION D
 1 : 50



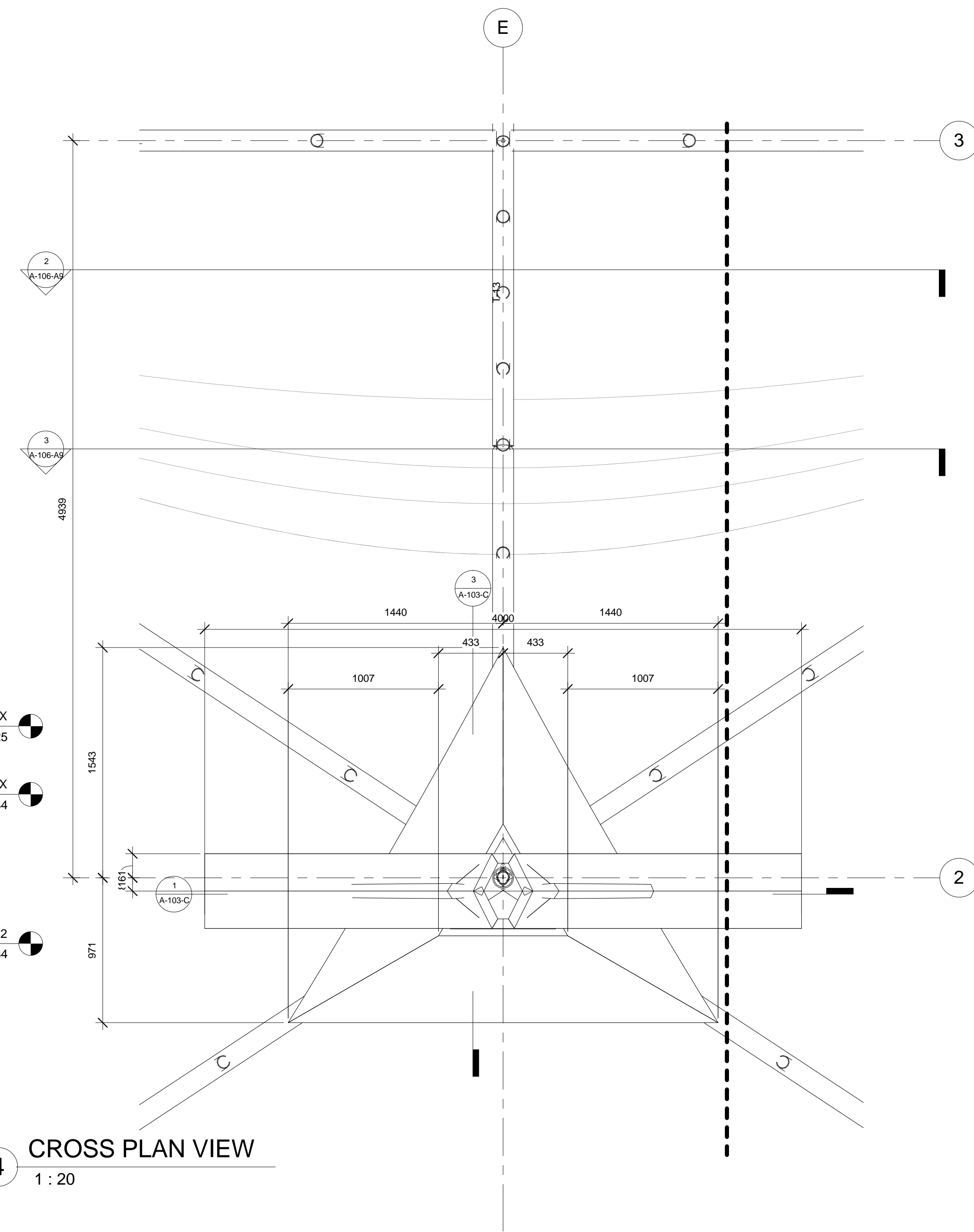
1 CROSS DIMENSIONS
(SECTION)
1 : 50



3 CROSS TRIPOD SECTION
1 : 50



2 CROSS LEFT SIDE
ELEVATION
1 : 50



4 CROSS PLAN VIEW
1 : 20